

HEADQUARTERS

FAAC SpA
Via Calari, 10 – 40069 Zola Predosa (BO) – Italy
Tel. +39 05161724
Fax +39 051 758518
www.faacgroup.com – info@faac.it

FAAC SUBSIDIARIES

FAAC AG
Tel. +41 52 3461721
Fax +41 52 3461723
Illnau, Switzerland
www.faac.ch

FAAC FRANCE
Tel. +33 472218700
Fax +33 472218701
Corbas, France
www.faac.fr

FAAC GMBH
Tel. +49 8654 49810
Fax +49 8654 498125
Freilassing, Germany
www.faac.de

FAAC MIDDLE EAST
Dubai, Emirati Arabi
www.faac.ae
info@faac.ae

F.A.A.C. SA
Tel. +34 91 6613112
Fax +34 91 6610050
Madrid, España
www.faac.es

FAAC UK LTD.
Tel. +44 1256 318100
Fax +44 1256 318101
Basingstoke, Hampshire UK
www.faac.co.uk

FAAC AUSTRALIA PTY LTD
Tel. +61 2 7565644
Fax +61 2 87565677
Homebush – Sydney, Australia
www.faac.com.au

FAAC NORD
Tel. +33 1 69191620
Fax +33 1 69536069
Massy, France
www.faac.fr

FAAC INDIA PVT. LTD
Tel. +91 120 3934100/4199
Fax +91 120 4212132
Noida – Delhi, India
www.faacindia.com

FAAC POLSKA SP.ZO.O.
Tel. +48 22 8141125
Fax +48 22 8142024
Warszawa, Polska
www.faac.pl

F.A.A.C. SA Delegación Cataluña
Tel. +34 93 4362000
Fax +34 93 5727994/4368225
Barcelona, España
www.faac.es

FAAC BENELUX
Tel. +32 50 320202
Fax +32 50 32024215
Brugge, Belgium
www.faac.be

FAAC G.E.S. M.B.H.
Tel. +43 662 8533950
Fax +43 662 85339520
Wals-Siezenheim, Austria
www.faac.at

FAAC INTERNATIONAL INC.
Tel. +1 307 6351991
Fax +1 307 6328148
Cheyenne, USA
www.faacusa.com

FAAC SCANDINAVIA AB
Tel. +46 36 3768660
Fax +46 36 370780
Bankeryd, Sweden
www.faac.se

FAAC SHANGHAI
Tel. +86 21 68182970
Fax +86 21 68182968
Shanghai, China
www.faac.com.cn



884

Gearmotor for sliding gates

FAAC



FOR SLIDING GATES UP TO 3,500KG

- Ideal for large industrial gates with intensive use
- Self breaking motor guarantees reduced stop spaces and keeps the system mechanically locked when the motor is not in operation.
- In the event of a power failure, the lever operated release device makes it possible to open and close the gate manually.
- Twin-disk clutch in oil- bath
- Base with levelling screws
- Steel housing protected by cataphoresis treatment and polyester paint.



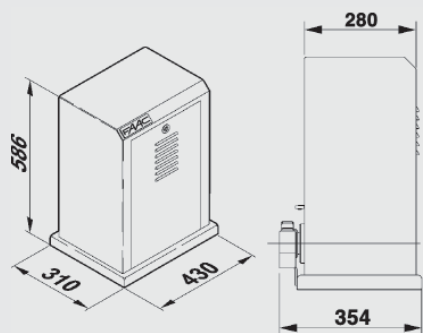
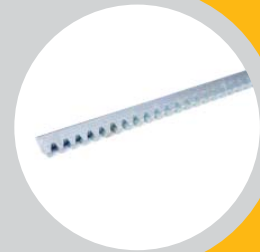
Z16 rack pinion for 884



884 t control board



30 x 30mm galvanised racking



Dimensions of unit

TECHNICAL SPECIFICATIONS 884

	884
Power supply	400 V 3ph (+6%-10%) 50 (60) Hz
Absorbed power	850 W
Absorbed current	1.6A(400V)
Torque	from 0 to 155 Nm
Motor rotation speed	1400 rpm
Reduction ratio	1:43.2
Operating ambient temp	-20°C to +55°C
Weight	50 kg
Racking	module 6

	884
Protection class	IP55
Type of oil	FAAC HP Oil
Gate speed	10m/min (Z16)
Limit switch	With lever and roller microswitch
Clutch	Twin-disk in oil bath
Dimensions (L x D x H) mm	430 x 310 x 586